

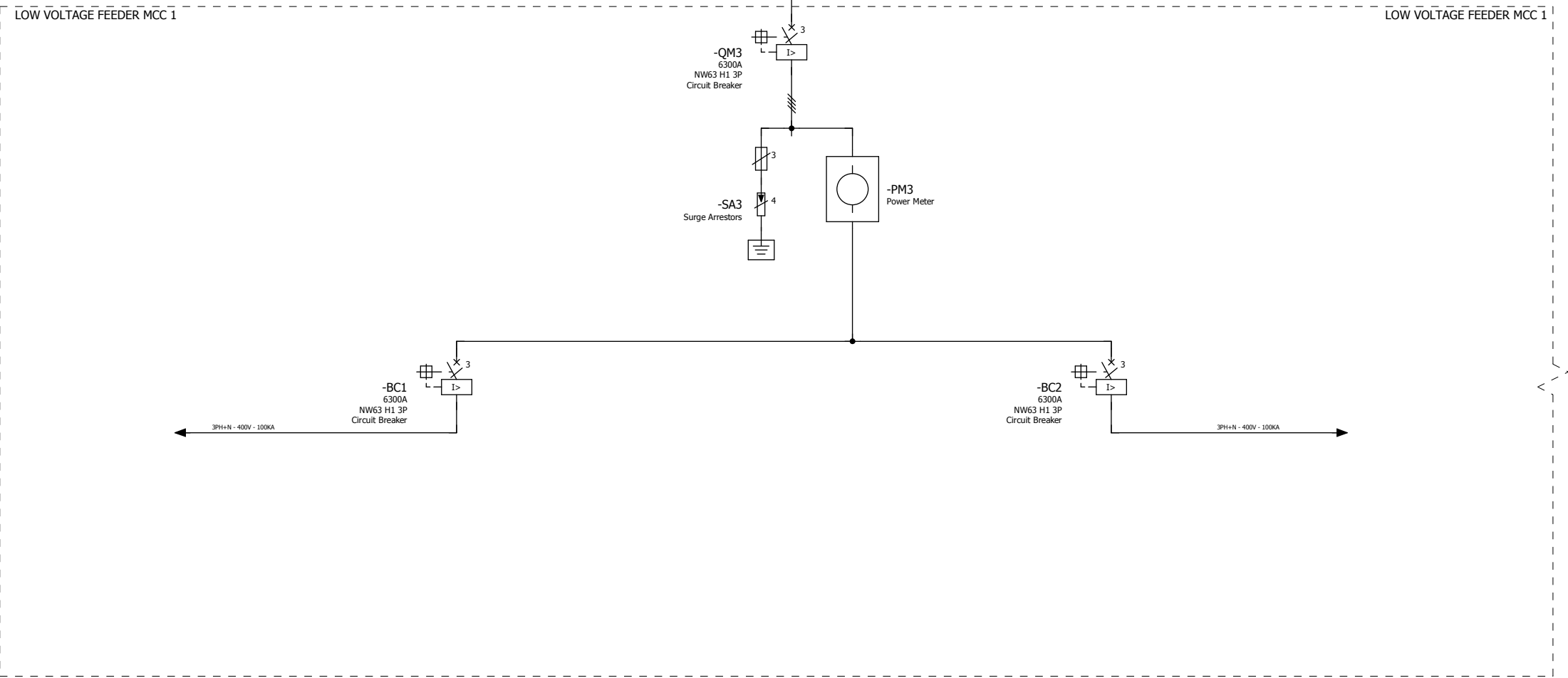
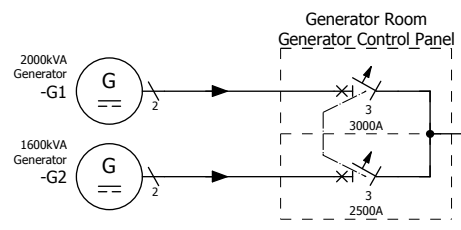
No.	Date	Prepared by	Checked by	Approved by	Entered by	Description	Status






LV FEEDER 1

Prepared by: C Christo Jacobs Checked by: Neels Alberts Approved by: Robert Van Beek



No.	Date	Prepared by	Checked by	Approved by	Entered by	Description	Status



PG
No. 1000
No. 1000
No. 1000
No. 1000

cooperativa muratori cementi e ravenna
PG Mayunda
A new word for water

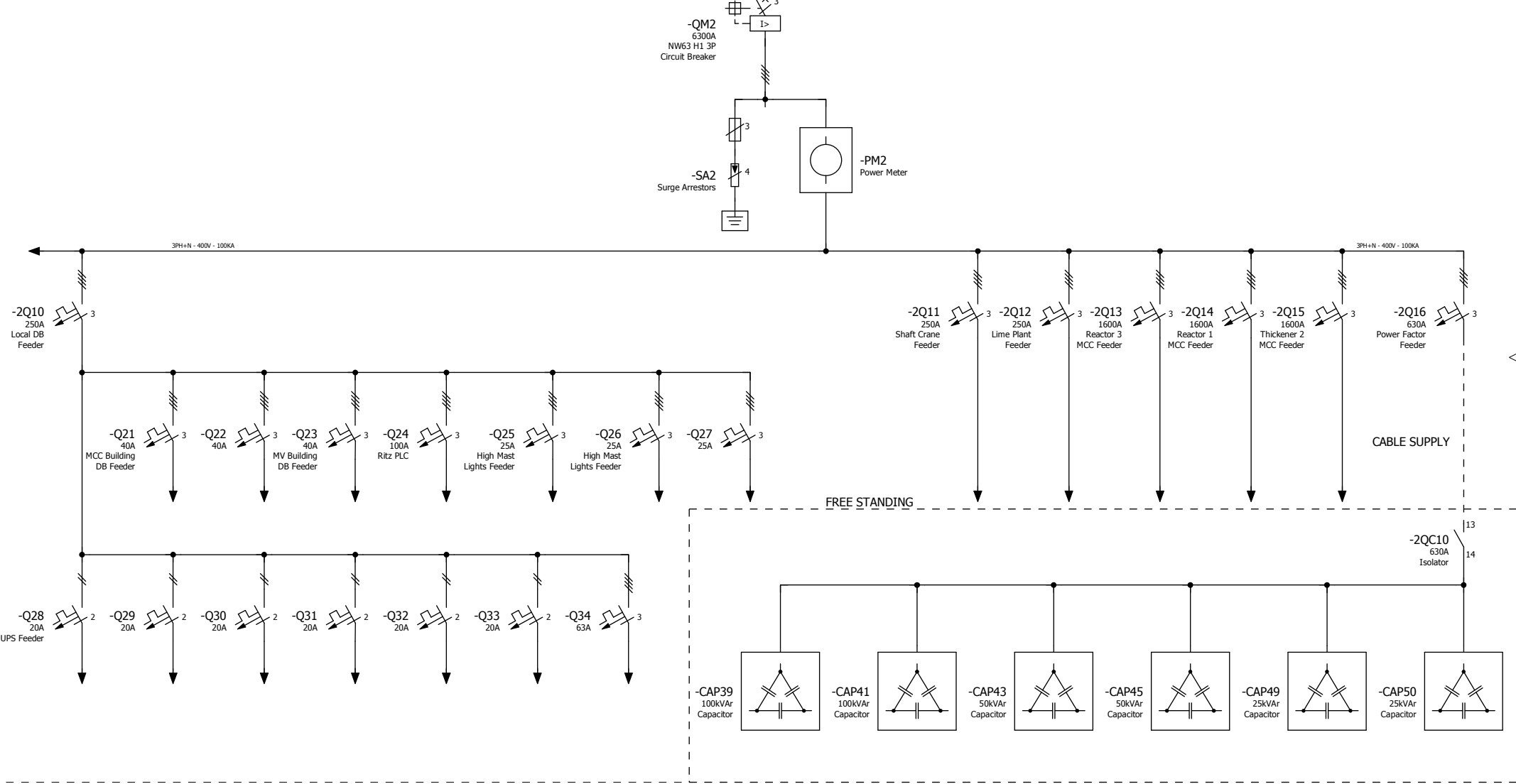
LV FEEDER 1

Prepared by: C. Christo Jacobs Checked by: Neels Alberts Approved by: Robert Van Beek

FED FROM TX2

LOW VOLTAGE FEEDER MCC 1

LOW VOLTAGE FEEDER MCC 1



No.	Date	Prepared by	Checked by	Approved by	Description

LV FEEDER 1

Prepared by: C Christo Jacobs Checked by: Neels Alberts Approved by: Robert Van Beek

PAGE 7 of 25
 Project: Acid Mine Drainage: Witwatersrand Gold Field Eastern Basin
 SINGLE LINE DIAGRAM
 Drawing Number: A3
 TEC • DWG • ELE • 0441 • R00