



UTILITY PLANT DB
TEC - DWG - ELE - 0540 - R00

WITWATERSRAND GOLD FIELDS
ACID MINE DRAINAGE (AMD)
EASTERN BASIN

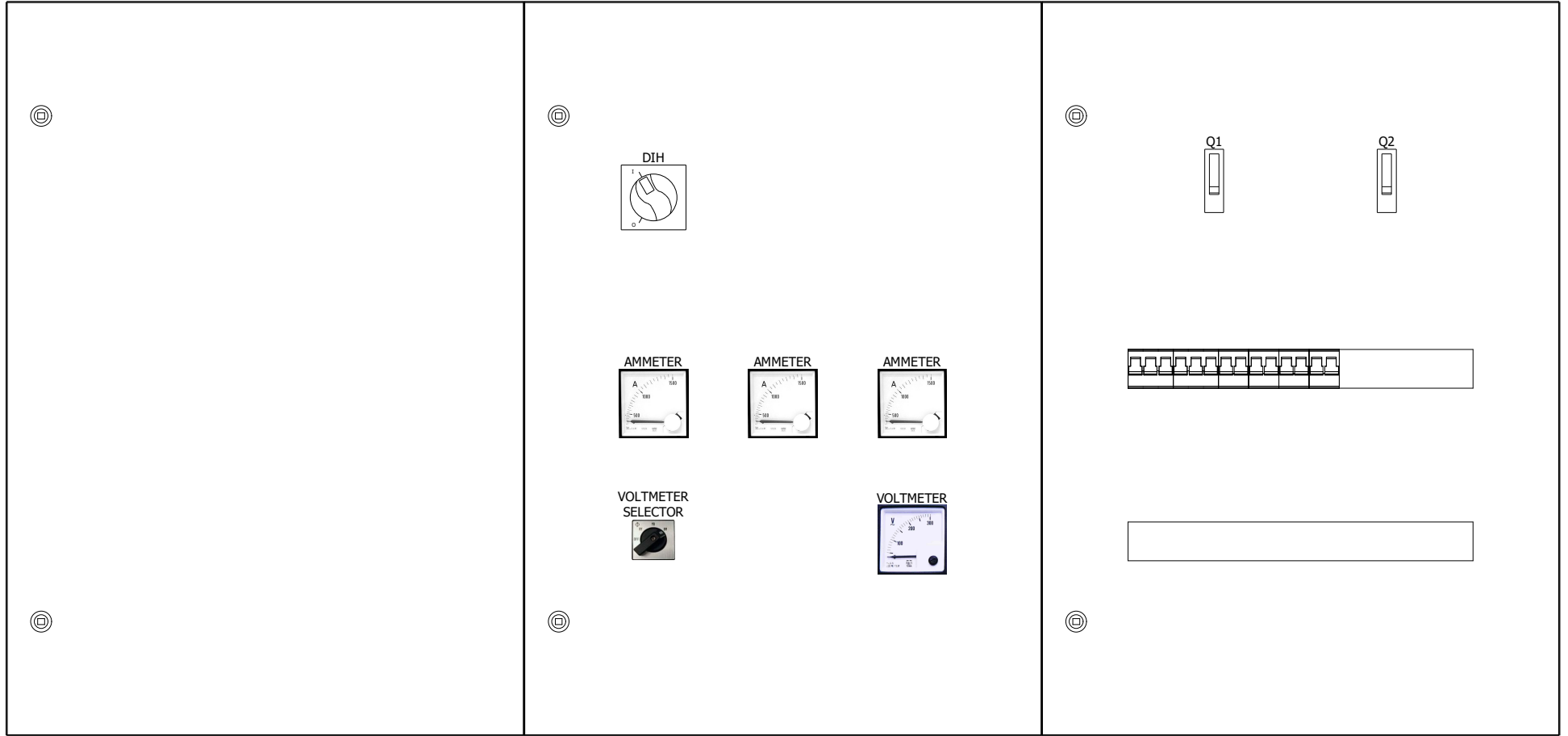
2016



EG-6 3CR12

EG-6 3CR12

EG-6 3CR12

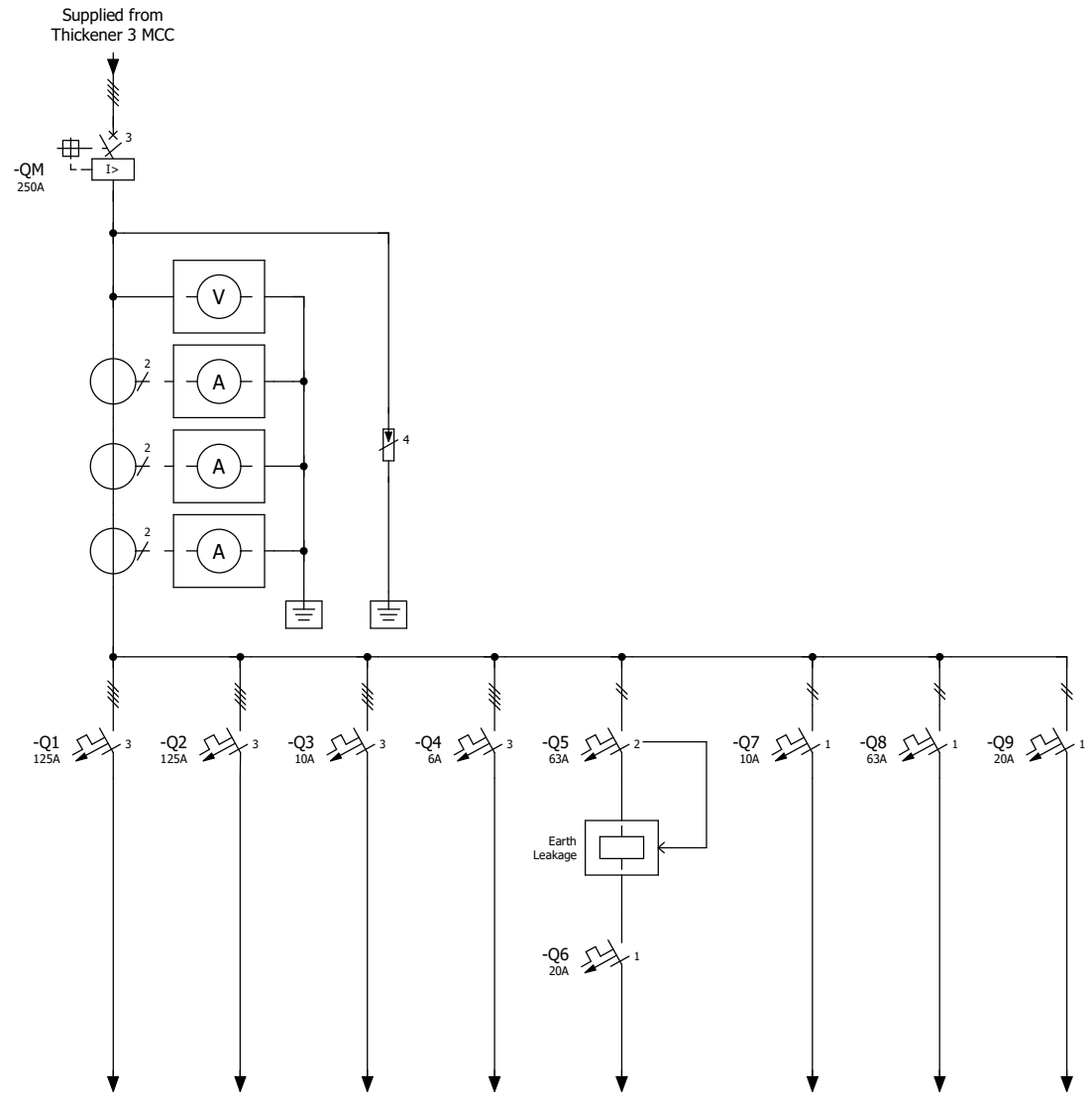


AS-BUILT
SIGNATURE _____

No.	Date	Prepared by	Checked by	Approved by	Entered by	Description	Status



PG Mavunda
UTILITY PLANT DB
 Prepared by: C.J. Christo Jacobs Checked by: Neels Alberts Approved by: Robert Van Beek

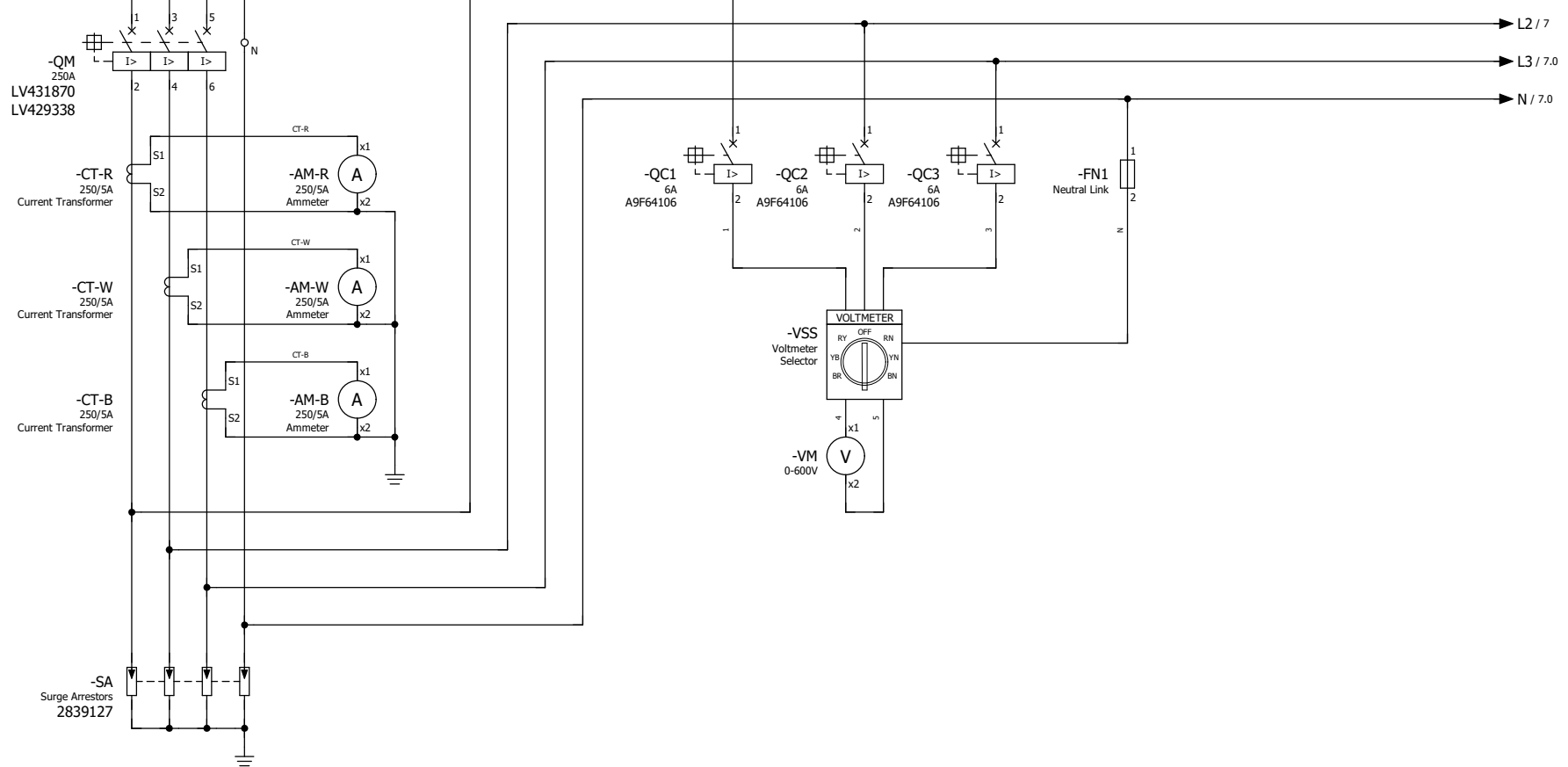


AS-BUILT
SIGNATURE _____

No.	Date	Prepared by	Checked by	Approved by	Entered by	Description	Status



PG Mavunda
UTILITY PLANT DB
Prepared by: CJ Christo Jacobs Checked by: Neels Alberts Approved by: Robert Van Beek



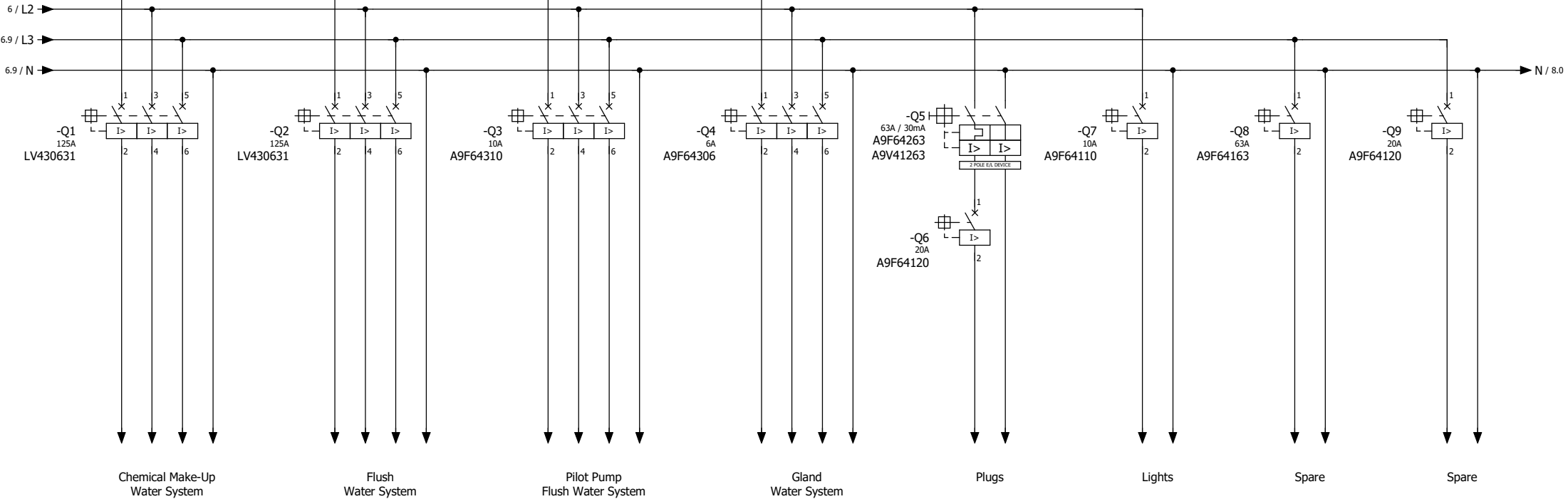
AS-BUILT
SIGNATURE: *[Handwritten Signature]*

No.	Date	Prepared by	Checked by	Approved by	Entered by	Description	Status



PG Engineer
Job Number:
Revision:
Scale:

PG Mavunda
UTILITY PLANT DB
Prepared by: CJ Christo Jacobs Checked by: Neels Alberts Approved by: Robert Van Beek



Chemical Make-Up
Water System

Flush
Water System

Pilot Pump
Flush Water System

Gland
Water System

Plugs

Lights

Spare

Spare

AS-BUILT
SIGNATURE _____

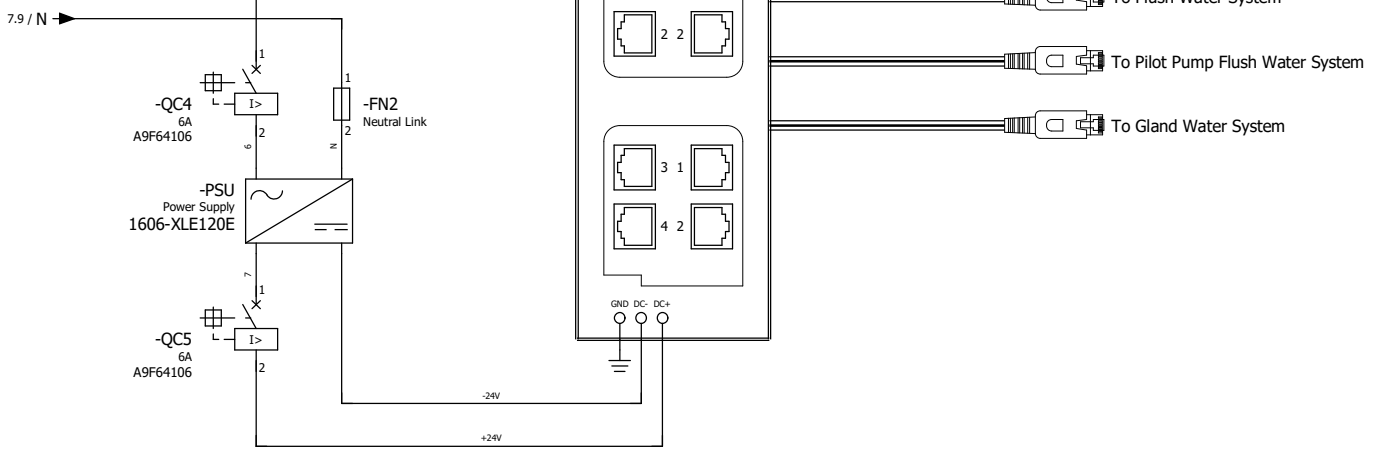
No.	Date	Prepared by	Checked by	Approved by	Entered by	Description	Status



PG
No. Engineer
No. No. Number
No. No. Number
No. No. Number

PG Mavunda
UTILITY PLANT DB
Prepared by: CJ Christo Jacobs Checked by: Neels Alberts Approved by: Robert Van Beek

Stratix 6000 EtherNet
Managed Switch
1783-EMS08T



AS-BUILT
SIGNATURE _____

No.	Date	Prepared by	Checked by	Approved by	Entered by	Description	Status



PG Mavunda
UTILITY PLANT DB
Prepared by: Cj Christo Jacobs Checked by: Neels Alberts Approved by: Robert Van Beek

Acid Mine Drainage: Witwatersrand Gold Field
Eastern Basin
ETHERNET LAYOUT
PAGE 8 of 8
A3 TEC • DWG • ELE • 0540 • R00